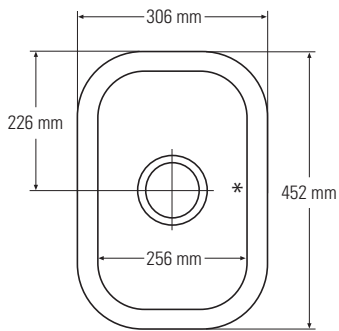


SMALL SINGLE SINKS

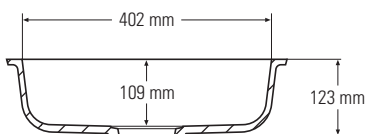
802



Top view
* overflow



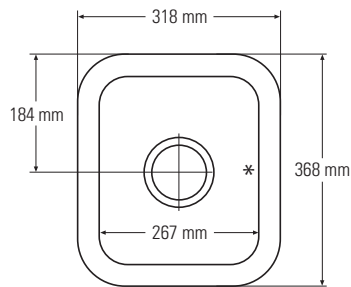
Side cross-section



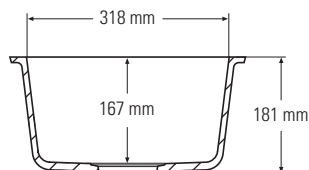
809



Top view
* overflow



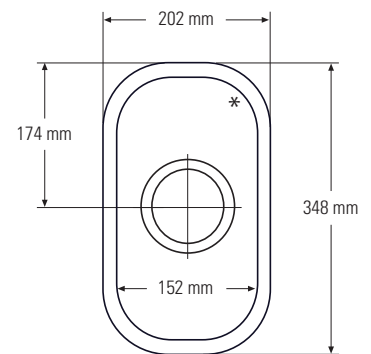
Side cross-section



857



Top view
* overflow



Side cross-section

