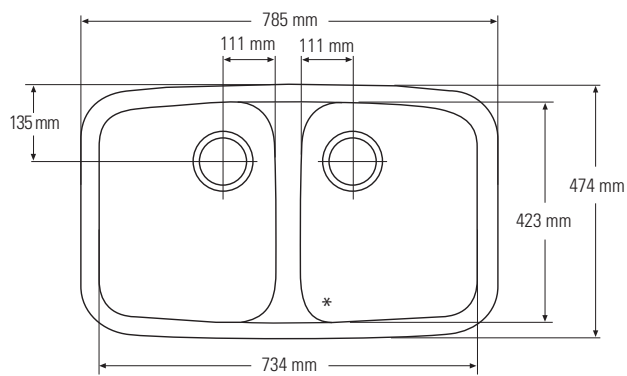


DOUBLE SINKS

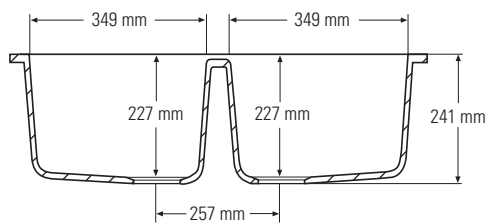
850



Top view
* overflow



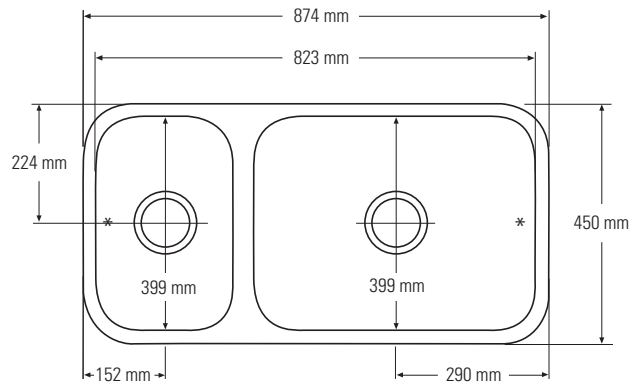
Front cross-section



873



Top view
* overflow



Front cross-section

